



Approved by:



Diva de Provence
885 Don Mills Road, Ste 207
Toronto, Ontario
M3C 1V9
Canada
Tel: (416) 256-2646
Fax: (416) 256-7121

Quick Installation Guide - DDP-2

To install the unit, create a cut-out in your countertop following the dimensions given on the drawing and the table below.

This cooktop must be installed in accordance with pertaining local building, trade, fire protection and electrical codes. If local codes do not exist, then installation must be done in accordance with federal codes.

The cooktop is to be connected - hard-wired - to the electrical power supply inside a client-supplied junction box which should be installed inside the cabinet below the unit. **The unit must be properly grounded.**

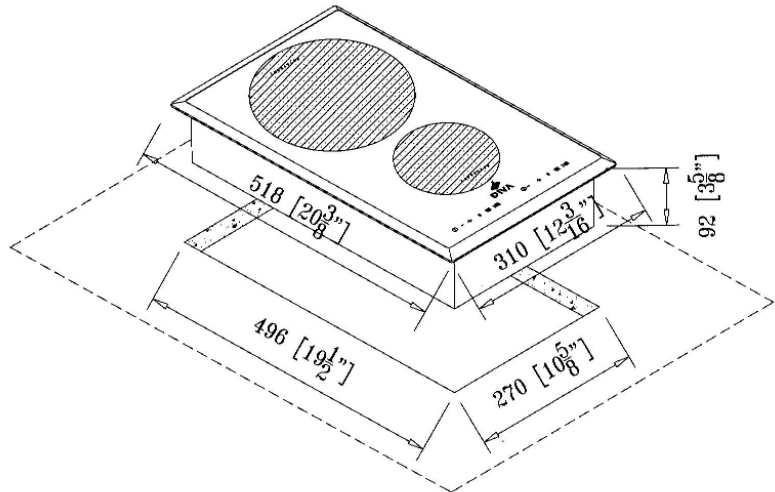
This cooktop is to be installed under a ventilation hood or a downdraft ventilation system.

DDP-2 Electrical Characteristics are:

Operating Voltage ... 240 V~ 60 Hz

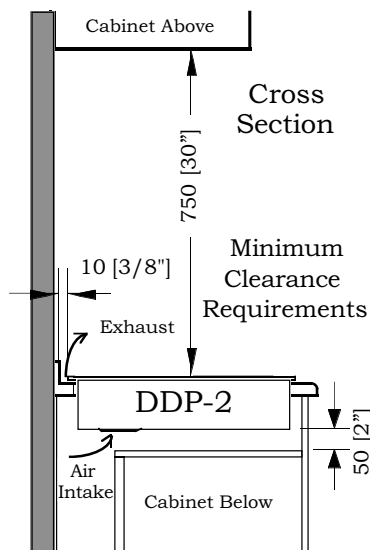
Max. Power Output ... 3600 W

**Connect to ... 240 V, 60 Hz, 2 Pole+G,
 20 A supply
 (3-wire #12 AWG)**



Cooktop and Cut-out Sizes	Width	Depth	Thickness
Cut-out Size	270 mm [10 5/8"]	496 mm [19 1/2"]	142 mm* [5 5/8"]*
Cooktop Box Size	263 mm [10 3/8"]	490 mm [19 1/4"]	92 mm [3 5/8"]
Cooktop Rim Size	310 mm [12 3/16"]	518 mm [20 3/8"]	10 mm [25/64"]

*This dimension includes clearance underneath the unit of 50 mm [2"]



Clearance

You should keep:

- **In the back of your unit** - between the unit and any vertical surface: minimum clearance of **10 mm (3/8")**;
- **If a downdraft ventilation system is used** - between the unit and the downdraft snorkel: minimum clearance of **6 mm (1/4")**;
- **Above the unit to any combustible surface** - e.g. cabinet above the unit: minimum clearance of **750 mm (30")**;
- **Below the unit** - between the bottom of the unit and any horizontal partition inside your cabinet: minimum clearance of **50 mm (2")**.